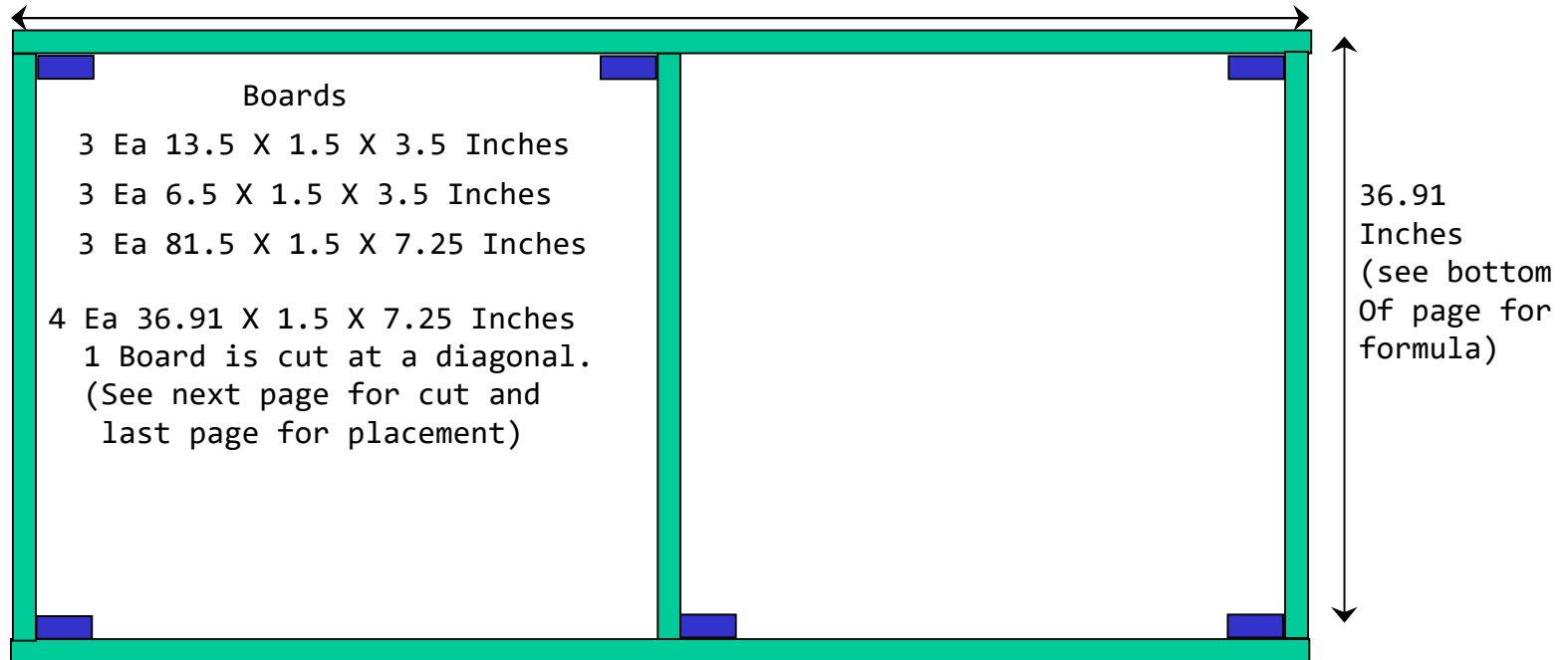


12" = 1" on this page

<https://gandalfdi.z19.web.core.windows.net/woodcflg.htm>  
Top View

Back

81.5 Inches Wide (Height of glass door plus 3")

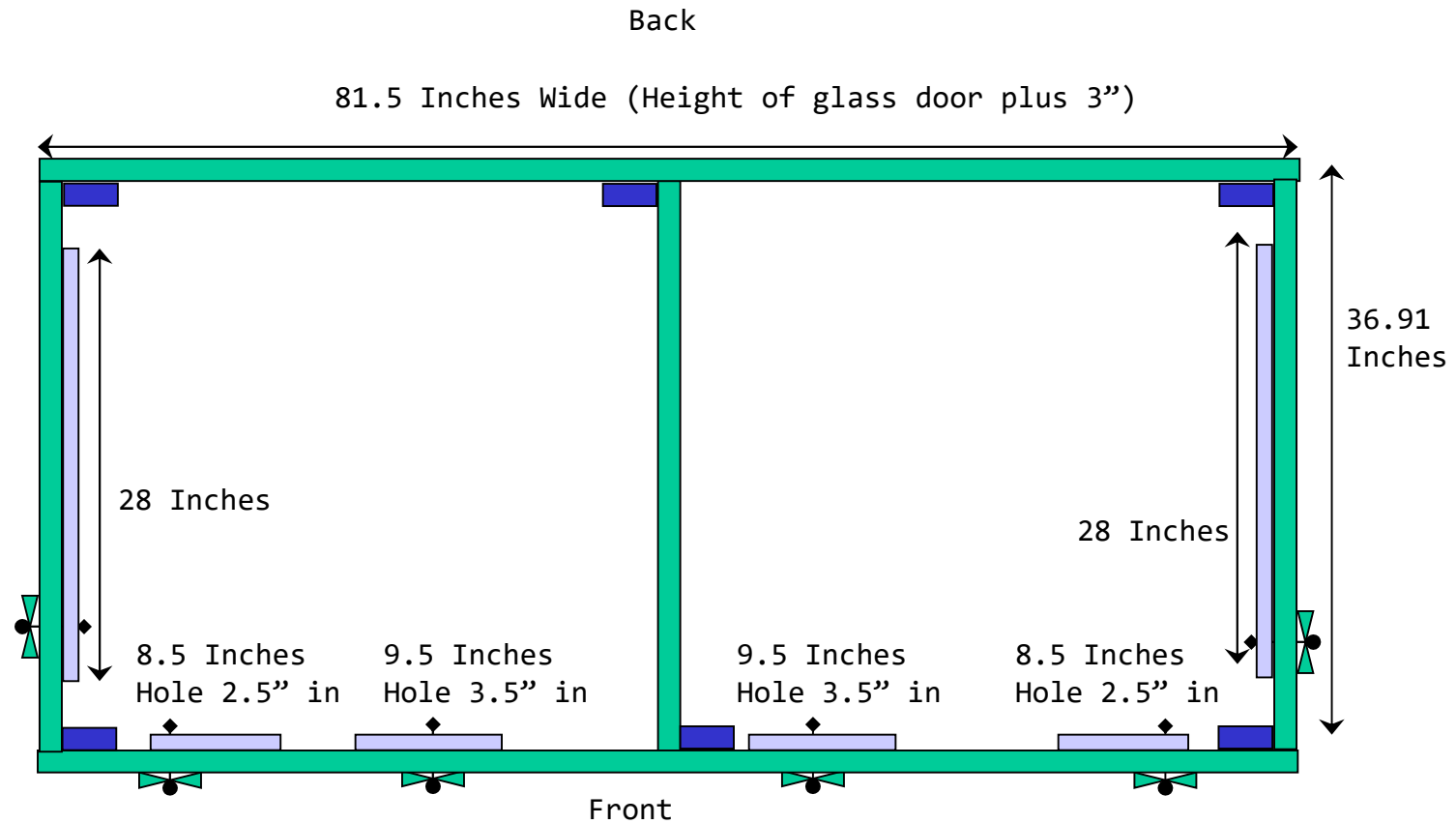


Front

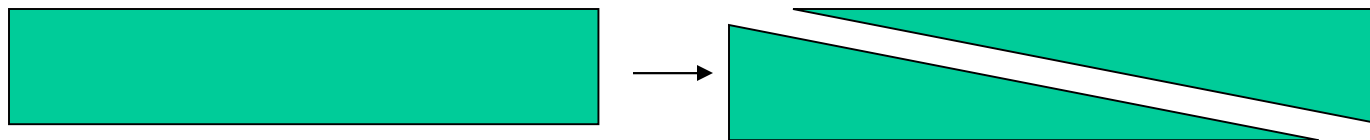
36.91" is figured from the length of the window  
at an angle - Side Angle Side equation:  
Square root  $(\text{WidthOfDoor}^2 - \text{height of board})^2 + 1$ "

12" = 1" on this page

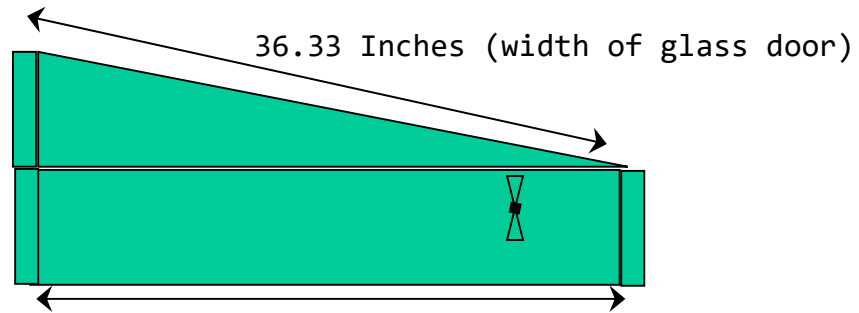
<https://gandalfddi.z19.web.core.windows.net/woodcflg.htm>  
Top View



Using the jigsaw, cut at a diagonal from 7.25" to 0".  
This makes 2 boards from the one board for the next page:

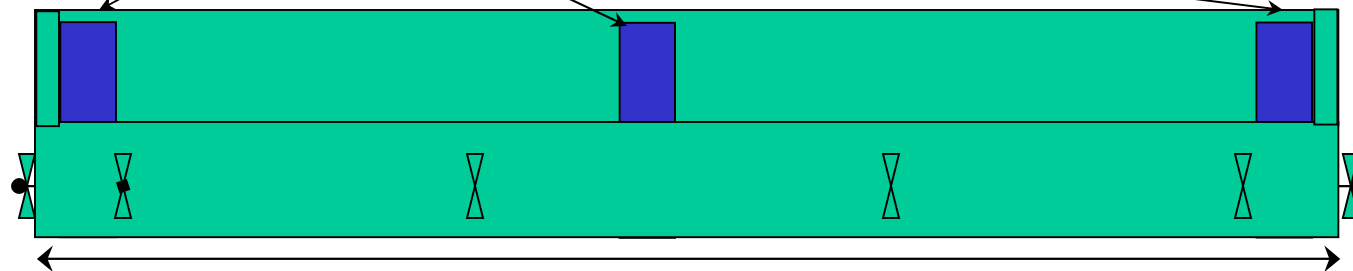


Side View



Formula:  
Square root  $(36.33^2 + 6.5^2) = 36.91$  Inches

The 3" X 1.5" board is 1" below the top board so that the door has something to rest on.



81.5 Inches

Front View